

# C.H.D.



## Manual trolley for loads of 250 to 10000 kg



2, boulevard de l'Industrie - B.P. 20059 - 28509 Vernouillet cedex - France  
Téléphone : (33) 02 37 38 95 95 - Télécopieur : (33) 02 37 38 95 99  
Internet : [www.verlinde.com](http://www.verlinde.com)

JV 11 2004 121GB

# C.H.D.

## Manual trolley

### For loads of 250 to 10000 kg

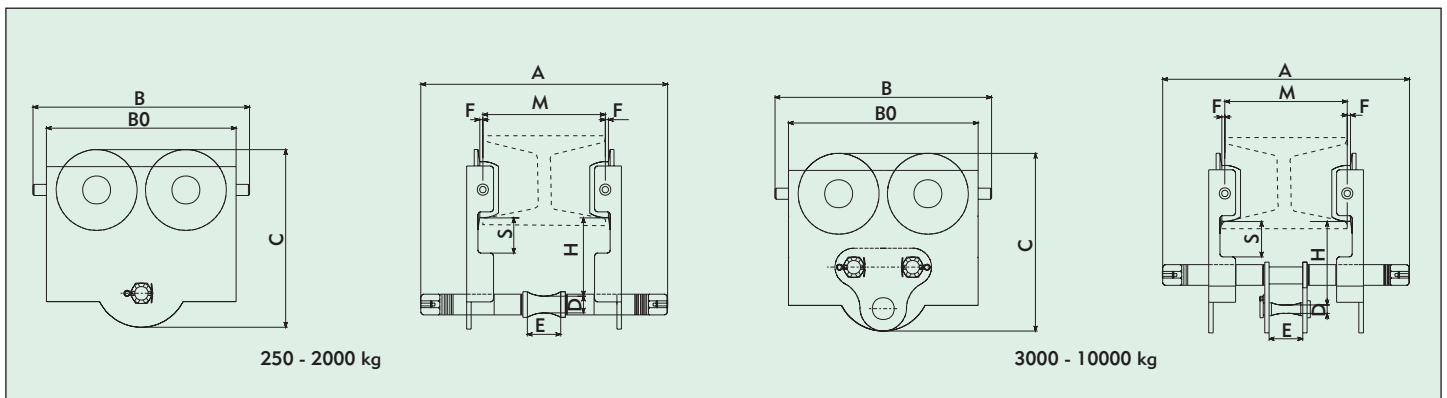


PHD  
Hand chain block  
250 - 10000 kg

#### MANUAL TROLLEY TYPE CHD GENERAL CONCEPT

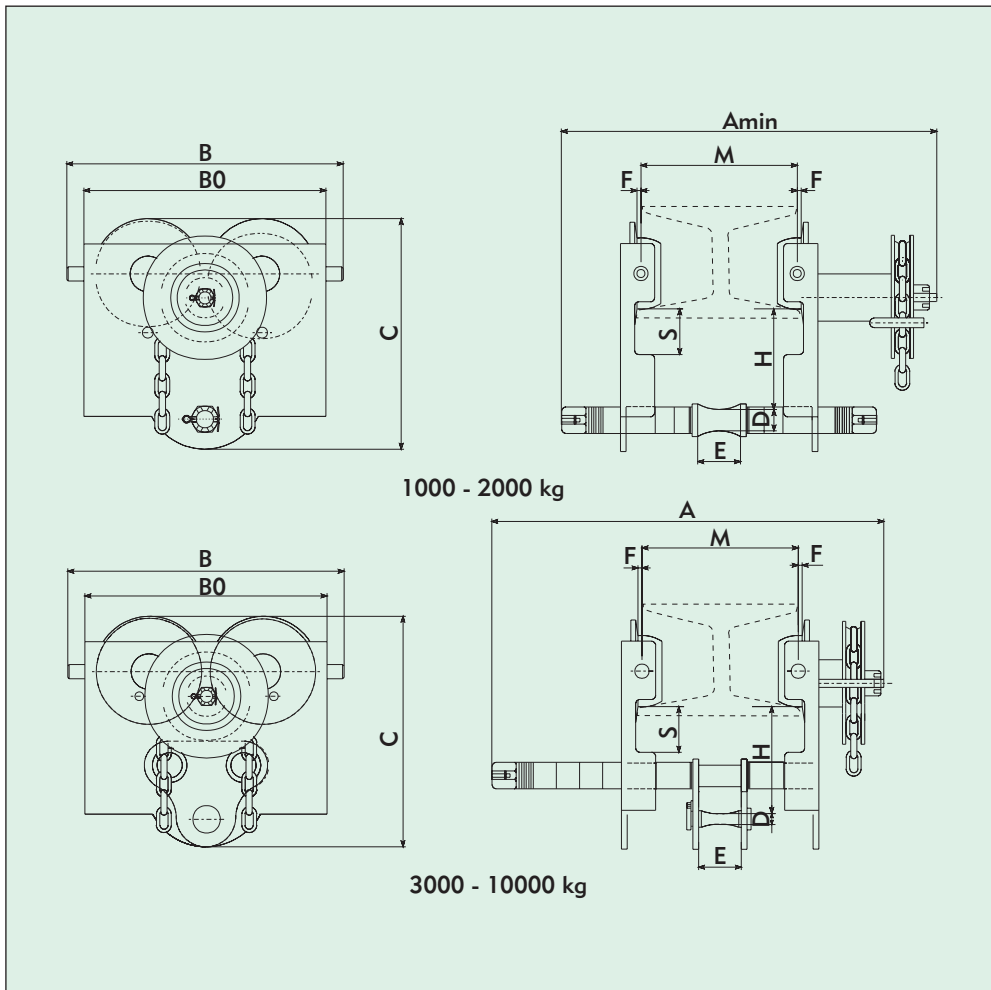
- The **CHD** allows the suspension of all types of lifting hook devices provided.
- The trolley width is adjustable according to beam size.
- Movement is achieved by pushing.
- Delivered. ready to assemble in box.
- Guaranteed 12 months
- Trolley flange in high resistance steel.
- Rollers: rims of wheels shaped to run on all types of monorail steel.
- Hook shaft: in steel, ensuring the overall rigidity of the assembly and the adjustment of the trolley width to adapt to varying rail sizes.(variable width available with **CHD** models).

#### DIMENSIONS OF PUSH TRAVEL TROLLEY TYPE CHD



SWL (kg)		250	500	1000	2000	3000	5000	6300	7500	10000	
Testing load (kN)		3.98	7.35	14.71	29.42	44.13	61.29	98.06	98.06	122.58	
Min radius of curve (m)		0.65	0.70	0.95	1.1	1.3	1.4	1.9	1.9	2.0	
Dimensions (mm)	A mm	X-head 1	284	303	336	340	362	384	401	401	408
		X-head 2	-	411	435	448	470	490	507	507	514
	B	194	210	249	296	346	386	439	439	466	
	B0	170	186	225	272	322	362	415	415	442	
	C	160	174	211	252	310	348	398	398	421	
	D	15	20	22	28	28	35	43	43	47	
	E	32	32	39	42	49	60	68	68	70	
	H	60	62	81	96	129	162	176	176	187	
F		1.53							23.5		
I-beam width (mm)	M	X-head 1	50-202	50-200	65-200	88-200	100-200	114-200	124-200	124-200	124-200
		X-head 2	-	188-310	188-310	188-310	188-310	188-310	188-310	188-310	188-310
Net weight (kg)	X-head 1	4.1	6.5	10.5	18	38	58.5	100	100	116	
	X-head 2	-	8	12	20	40	61	102.5	102.5	119	

## MANUAL TROLLEY TYPE CHDD GENERAL CONCEPT



**CHDD** trolley give same characteristics as **CHD** except :

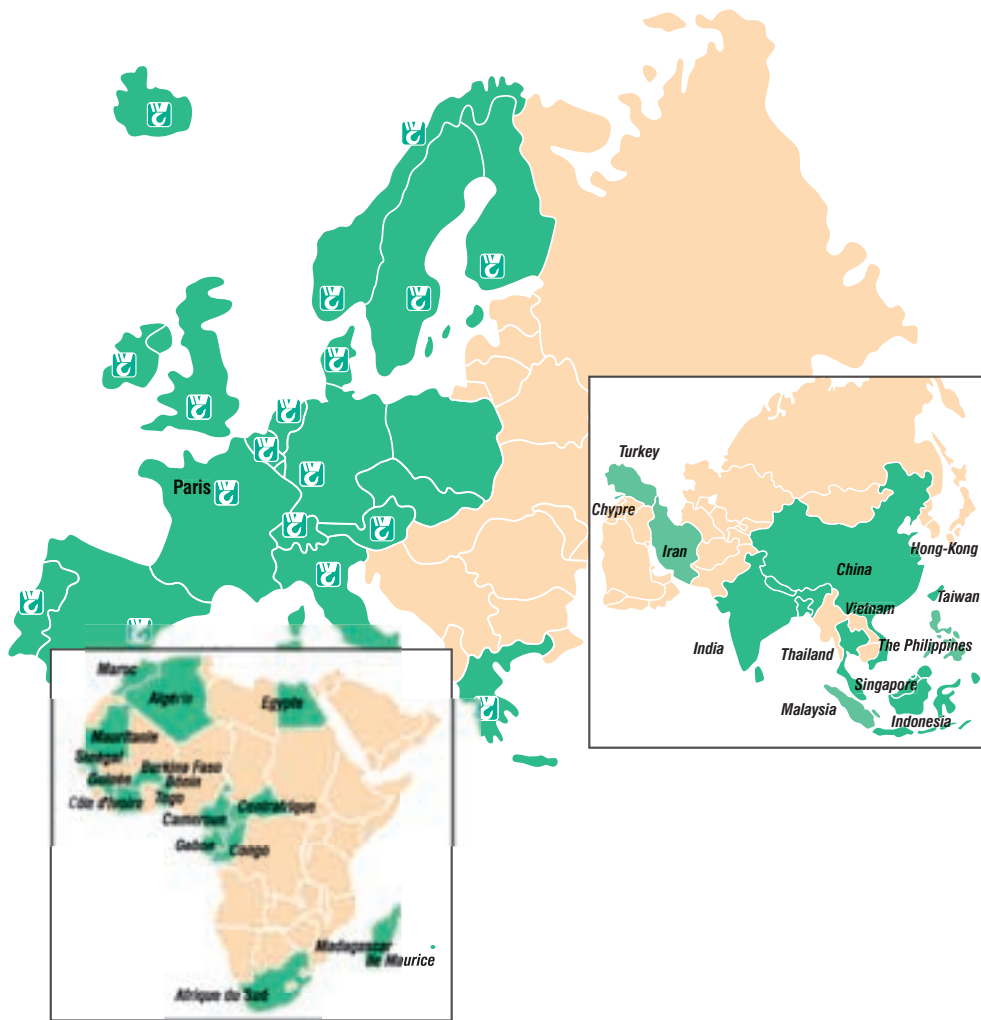
- Travelling with hand chain and driving wheels
- Height of hand travelling chain: 2,5 m.



**CHDD**  
Manual trolley  
with hand chain  
250 - 10000 kg

## DIMENSIONS OF CHAIN TRAVEL TROLLEY TYPE CHDD

SWL (kg)			250	500	1000	2000	3000	5000	6300	7500	10000
Testing load (kN)			3.98	7.35	14.71	29.42	44.13	61.29	98.06	98.06	122.58
Height of hand chain travel (m)			2,5								
Pulling force under full load (N)			22	35	55	90	95	140	200	200	240
Min radius of curve (m)			0.95	0.95	0.95	1.1	1.3	1.4	1.9	1.9	2.0
Dimensions (mm)	A min	X-head 1	392	392	392	400	374	392	413	413	421
		X-head 2	499	499	499	504	482	498	519	519	527
		B	249	249	249	296	346	386	439	439	466
		Bo			225	272	322	362	415	415	442
		C	211	211	211	252	310	348	398	398	421
		D	22	22	22	28	28	35	43	43	47
		E	39	39	39	42	49	60	68	68	70
		H	81	81	81	96	129	162	176	176	187
		S	38	38	38	38	40	42	45	45	45
		F	1.53					23.5			
I-beam width (mm)	M	X-head 1	65-200	65-200	65-200	88-200	100-200	114-200	124-200	124-200	124-200
		X-head 2	188-310	188-310	188-310	188-310	188-310	188-310	188-310	188-310	188-310
Net weight (kg)	X-head 1		14	14	14	21.5	42	62.5	104	104	120
	X-head 2		15.5	15.5	15.5	23.5	44	65	106.5	106.5	123



### **VERLINDE is :**

- The leading French constructor and exporter of hoisting and mechanical handling equipment.
- A group employing 5,000 staff.
- A large range hoisting equipment from 125 to 80.000 kg
- ISO 9001 quality control certified.
- Easily-accessible consultants in over 80 countries.



### **In France**

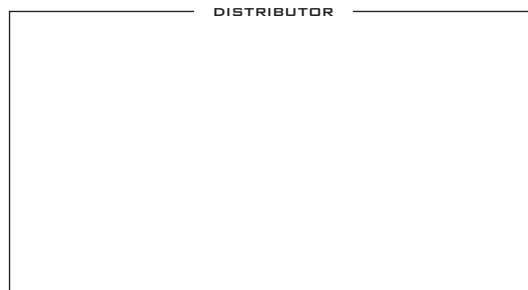
9 Sales offices, 18 after sale service centres,  
11 manufacturing plants for EUROPOINT  
travelling cranes and a national distribution network.

### **World-wide**

Branches in Germany, Holland, Belgium, Italy and distributors in Africa, Germany, Spain, Argentina, Austria, Brazil, Chilli, Ireland, United Kingdom, Sweden, Norway, Denmark, China, Thailand, Indonesia, Vietnam, Malaysia, United States, etc.



**PHD**  
Manual chain hoist  
250 - 10.000 kg



**PLV**  
Lever hoist  
250 - 3000 kg